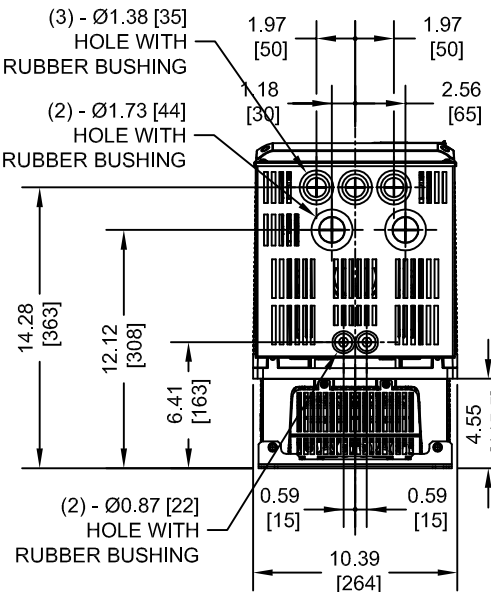
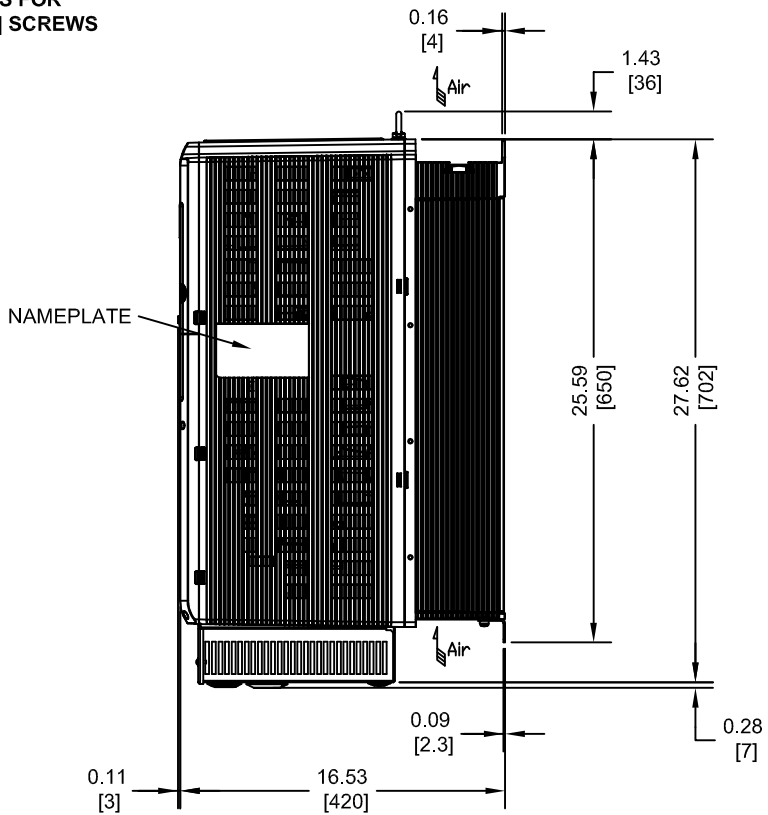
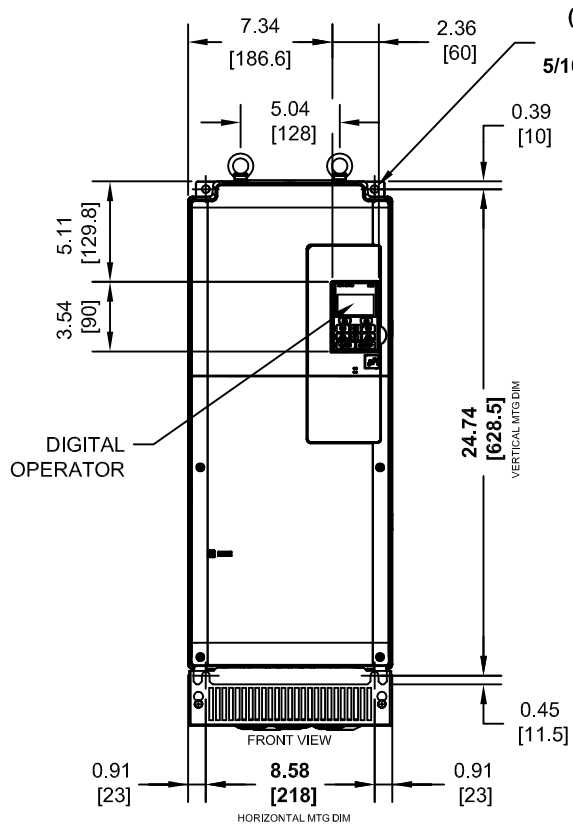
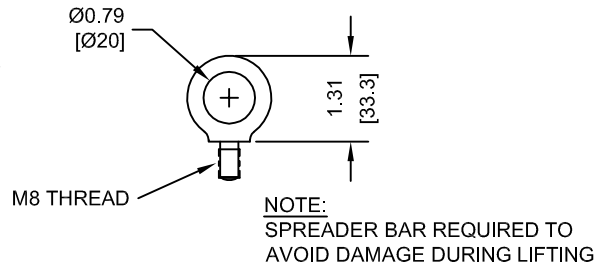


LIFTING AND EYEBOLT DETAILS



THE DIMENSIONS SHOWN ARE FOR AN IP00 OPEN TYPE DRIVE THAT HAS BEEN CONVERTED TO A NEMA TYPE 1 DRIVE BY ADDING THE PARTS FROM NEMA 1 KIT PART NUMBER EZZ022745B

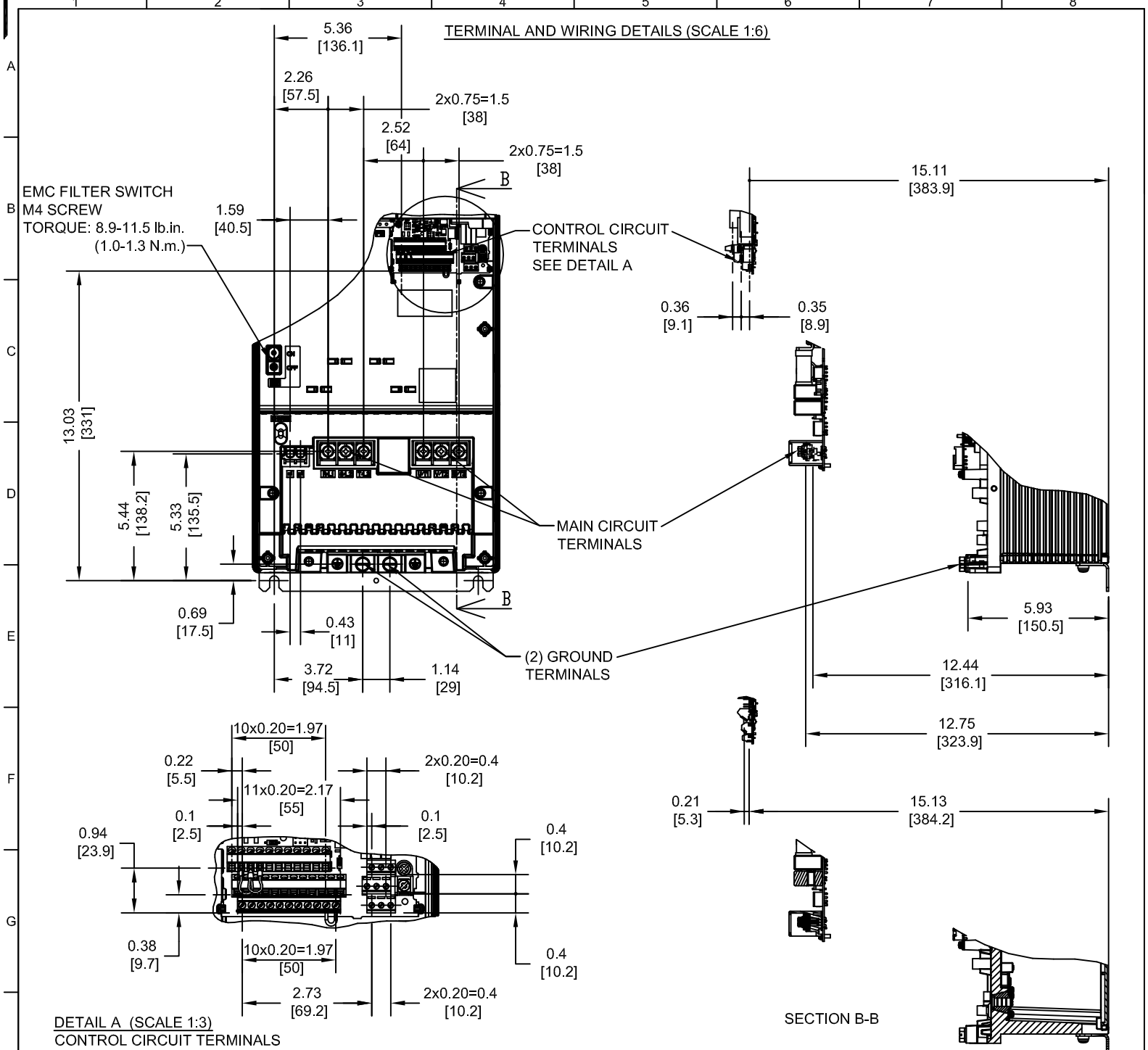
MODEL # CIMR-UU	VOLTAGE 3-PHASE (VAC)	OUTPUT CURRENT (A)		WEIGHT LBS (Kg)	WEIGHT WITH EMC FILTER LBS (Kg)	HEAT LOSS (W)					
						ND (Fc=4kHz)			HD (Fc=4kHz)		
		ND	HD			INT	EXT	TOT	INT	EXT	TOT
2□0042□□□	200/240	42	28	75 (34)	77 (35)	168	854	1022	138	586	724
2□0054□□□		54	42	75 (34)	77 (35)	195	1037	1232	168	808	976
2□0068□□□		68	54	82 (37)	84 (38)	225	1295	1520	190	1016	1206
2□0081□□□		81	68	82 (37)	84 (38)	238	1420	1658	208	1181	1389
4□0040□□□	380/500*	40	34	75 (34)	77 (35)	174	877	1051	150	693	843
4□0052□□□		52	40	75 (34)	77 (35)	209	1109	1318	178	855	1033
4□0065□□□		65	52	82 (37)	84 (38)	240	1369	1609	204	1087	1291
4□0077□□□		77	65	82 (37)	84 (38)	251	1479	1730	220	1238	1458

NOTES:
 □ DENOTES A-Z
 □□□ DENOTES AAA-ZZZ
 * - FOR MODELS WITH INTEGRAL EMC FILTER, VOLTAGE RATING IS 380/480.

INT=INTERNAL COMPONENTS
 EXT=EXTERNAL HEATSINK
 TOT=TOTAL

FOR ADDITIONAL DETAILS AND SPECIFICATIONS, CONSULT MANUAL

TOLERANCES / REFERENCES:			DRAWN: J. MATTAS CHECKED: J. PIOTROWSKI TECH: J. BORJA APPROVED: J. CAIRO ORIGINAL DESIGN: -	DATE: 4-13-15 DATE: 4-21-15 DATE: 4-22-15 DATE: 4-30-15 DATE: -	TITLE: U1000 DIMENSION DRAWING FRAME SIZE 2 NEMA TYPE 1 ENCLOSURE 2□0042 - 2□0081, 4□0040 - 4□0077
UNITS: IN[mm]	SCALE: 1:10		THIS DOCUMENT AND INFORMATION CONTAINED IN IT ARE CONFIDENTIAL, AND CANNOT BE COPIED OR DISCLOSED IN WHOLE OR IN PART WITHOUT THE EXPRESS WRITTEN CONSENT OF YASKAWA AMERICA, INC.	SIZE: A REVISION: R00 DRAWING #: DD.U1K.FR2.N1	PAGE: 1 of 3



DETAIL A (SCALE 1:3)
CONTROL CIRCUIT TERMINALS

SECTION B-B

**TERMINAL AND WIRE SPECIFICATIONS FOR
MAIN CIRCUIT AND GROUND**

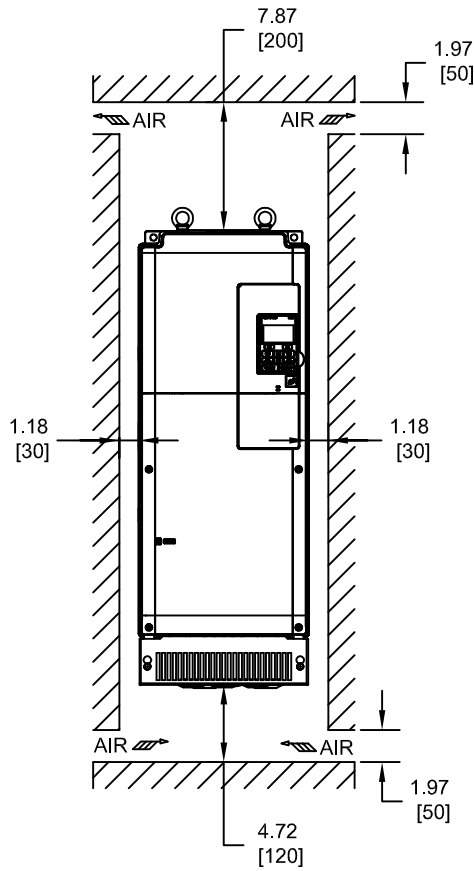
MODEL # CIMR-UU	TERMINAL SYMBOL	TERMINAL SCREW	CLAMPING TORQUE lb.in.(N.m.)	WIRE RANGE AWG(mm ²)
2□0042	R/L1, S/L2, T/L3	M6	35.4 TO 53.1 (4 TO 6)	10 TO 4 (6 TO 25)
2□0054	U/T1, V/T2, W/T3			
2□0068	p1, n1	M4	8.9 TO 12.4 (1 TO 1.4)	14 TO 12 (2.5 TO 4)
2□0081				
4□0040	⊕	M8	78.1 TO 95.5 (8.8 TO 10.8)	10 TO 4 (6 TO 25)
4□0052				
4□0065				
4□0077				

NOTE: REFER TO APPLICABLE CODES FOR PROPER WIRE TYPE AND SIZE

FOR ADDITIONAL DETAILS AND SPECIFICATIONS, CONSULT MANUAL

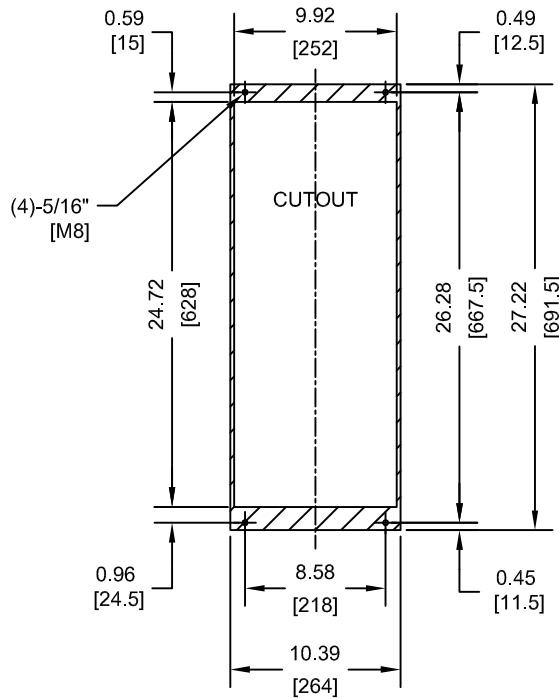
TOLERANCES / REFERENCES:		<p>THIS DOCUMENT AND INFORMATION CONTAINED IN IT ARE CONFIDENTIAL, AND CANNOT BE COPIED OR DISCLOSED IN WHOLE OR IN PART WITHOUT THE EXPRESS WRITTEN CONSENT OF YASKAWA AMERICA, INC.</p>	DRAWN: J. MATTAS	DATE: 4-13-15	TITLE: U1000 DIMENSION DRAWING FRAME SIZE 2 NEMA TYPE 1 ENCLOSURE 2□0042 - 2□0081, 4□0040 - 4□0077	
UNITS: IN[mm]			CHECKED: J. PIOTROWSKI	DATE: 4-21-15		SIZE: A
SCALE: BY VIEW			TECH: J. BORJA	DATE: 4-22-15		REVISION: R00
			APPROVED: J. CAIRO	DATE: 4-30-15		PAGE: 2 of 3
		ORIGINAL DESIGN:	DATE:	DRAWING #: DD.U1K.FR2.N1		

MINIMUM INSTALLATION CLEARANCES (SCALE 1:12)



NOTE:
FOR SIDE-BY-SIDE MOUNTING
CONSULT MANUAL

PANEL CUTOUT FOR EXTERNAL HEATSINK
MOUNTING CONFIGURATION (SCALE 1:12)



NOTES:
1. EXTERNAL HEATSINK
CONFIGURATION REQUIRES
MOUNTING KIT
2. EXPOSED HEATSINK
RECOMMENDED CLEARANCE
D=5.12"

FOR ADDITIONAL DETAILS AND SPECIFICATIONS, CONSULT MANUAL

TOLERANCES / REFERENCES:		<p>THIS DOCUMENT AND INFORMATION CONTAINED IN IT ARE CONFIDENTIAL, AND CANNOT BE COPIED OR DISCLOSED IN WHOLE OR IN PART WITHOUT THE EXPRESS WRITTEN CONSENT OF YASKAWA AMERICA, INC.</p>	DRAWN: J. MATTAS	DATE: 4-13-15	TITLE: U1000 DIMENSION DRAWING FRAME SIZE 2 NEMA TYPE 1 ENCLOSURE 2□0042 - 2□0081, 4□0040 - 4□0077
			CHECKED: J. PIOTROWSKI	DATE: 4-21-15	
			TECH: J. BORJA	DATE: 4-22-15	
			APPROVED: J. CAIRO	DATE: 4-30-15	
UNITS: IN[mm]	SCALE: BY VIEW	ORIGINAL DESIGN:	-	DATE:	-
					DRAWING #: DD.U1K.FR2.N1
			SIZE: A	REVISION: R00	PAGE: 3 of 3